

PRODUCT DATASHEET

High brightness, Flicker free, IP65 - High Bay
HYD-709-150W 6500K



Application

- Warehouse
- Exhibition Hall
- Industrial Plants
- Parking lot
- Gymnasiums

Benefits

- IK08
- Flicker free.
- Protection against water & dust, IP65
- High energy saving, up to 60% Comparing to conventional Light

Features

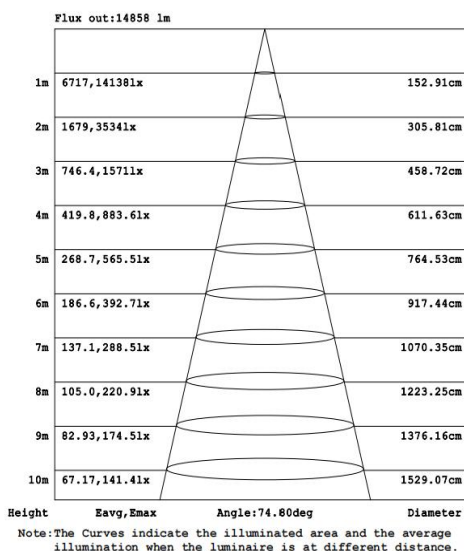
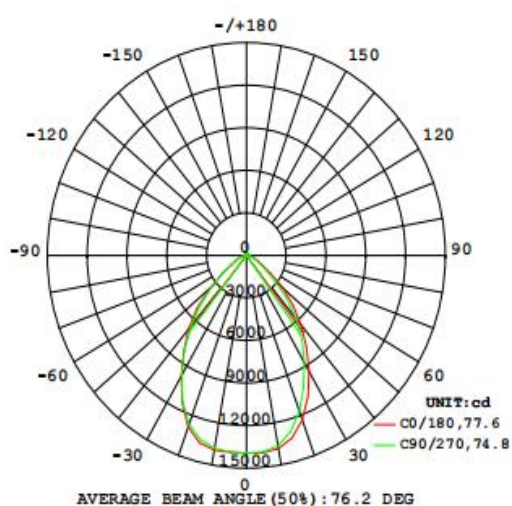
- Clear PC Lenses
- Warranty 5 years
- Easy and quick installation
- Die-cast aluminum body for better heat dissipation, anti-corrosion, and easy maintain

Electrical Data

Nominal wattage (W)	150 W
Nominal Voltage (V)	120-277
Mains Frequency (Hz)	50
Nominal Current (mA)	724
LED Driver Current (mA)	630
LED Driver Voltage (Vdc)	180-260
LED Driver Efficiency (%)	97%
Power Factor λ	0.9
Total harmonic distortion (%)	20%
Operating mode	Built in LED driver

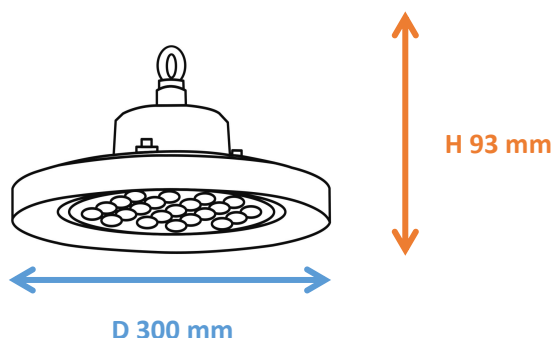
Photometrical data

Luminous flux $\pm 10\%$ (lm)	22099 lm
Luminous efficacy	141 lm/w
Color temperature	6500K
Light color (designation)	Cold White
Color rendering index Ra	≥ 80
Standard deviation of color matching	≤ 5 SDCM
Luminous intensity/cd	13963
Flickering	Flicker free
Beam angle	76 °



Dimensions & Weight

Diameter (mm)	300
Height (mm)	93
Product weight (g)	2558



Material & Colors

Product color	Black heat sink / White lens
Housing color	Black
Body material	Aluminum
Cover material	PC
Mercury content	0.0 mg

Application & Mounting

Ambient temperature range	-40°C - +90 °C
Temperature range at storage	-40°C - +80 °C
Type of connection	Screwless terminal
Type of protection	IP65
Dimmable	No
Mounting type	Surface mounted
Mounting location	Ceiling
Application environment	Indoor/Outdoor
Cut size (mm)	No
LED module replaceable	Not replaceable
With light source	Yes

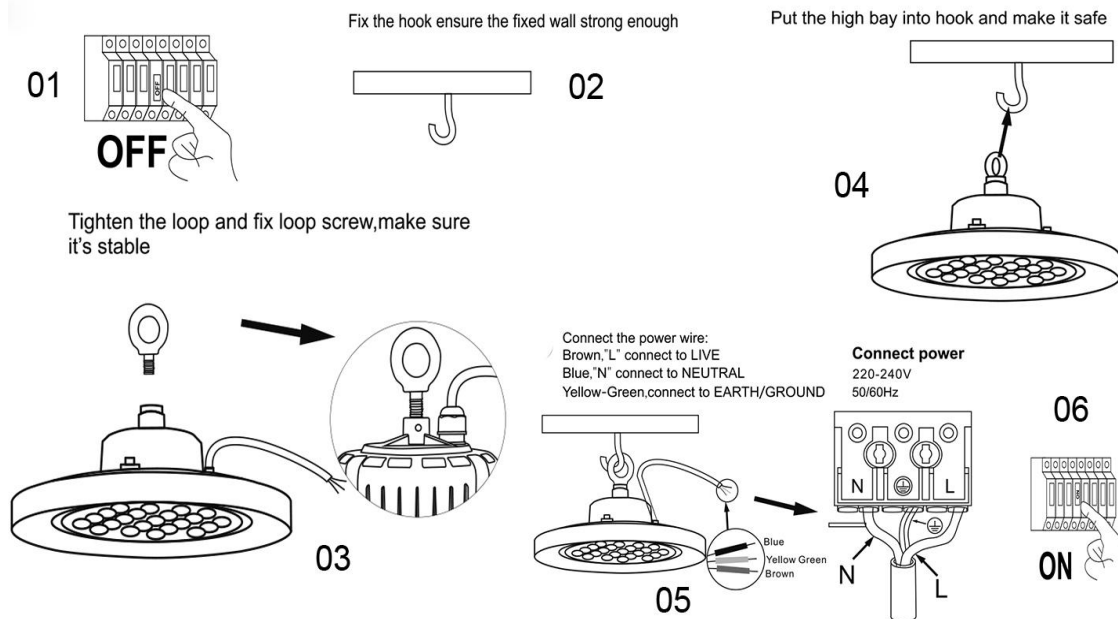
Certificates & Lifespan

Life (h)	50,000
Certificates	CB CE LVD EMC
Standards	ISO9001:2015

Logistical Data

Product code	Dimensions (L*W*H)	Pcs/ carton	G.W. kg	Volume CBM
HYD-709-150W	33*33*13.5 cm	1	...	0.01470 m ³

Installation Method



Disclaimer

Subject to change without notice. Errors and omission excepted. Always make sure to use the most recent release