

PRODUCT DATASHEET

High brightness, Flicker free, IP65 - High Bay
HYD-709-100W 6500K



Application

- Warehouse
- Exhibition Hall
- Industrial Plants
- Parking lot
- Gymnasiums

Benefits

- IK08
- Flicker free.
- Protection against water & dust, IP65
- High energy saving, up to 60% Comparing to conventional Light

Features

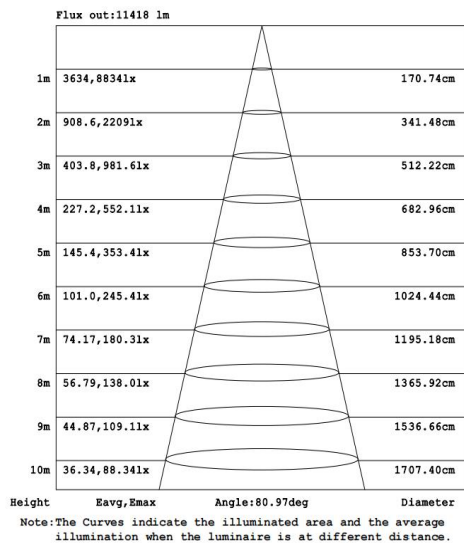
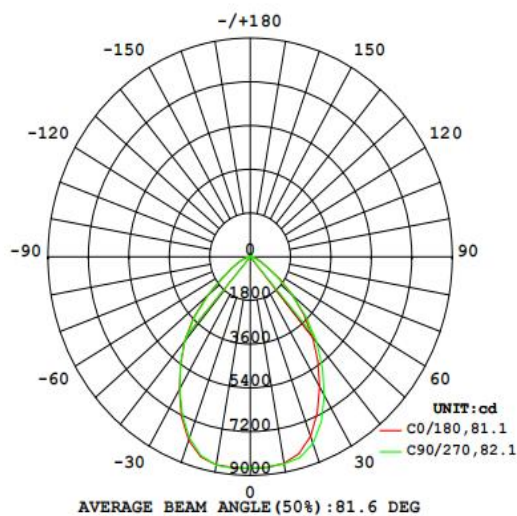
- Clear PC Lenses
- Warranty 5 years
- Easy and quick installation
- Die-cast aluminum body for better heat dissipation, anti-corrosion, and easy maintain

Electrical Data

| | |
|-------------------------------|---------------------|
| Nominal wattage (W) | 100 W |
| Nominal Voltage (V) | 120-277 |
| Mains Frequency (Hz) | 50 |
| Nominal Current (mA) | 496 |
| LED Driver Current (mA) | 410 |
| LED Driver Voltage (Vdc) | 180-260 |
| LED Driver Efficiency (%) | 97% |
| Power Factor λ | 0.9 |
| Total harmonic distortion (%) | 20% |
| Operating mode | Built in LED driver |

Photometrical data

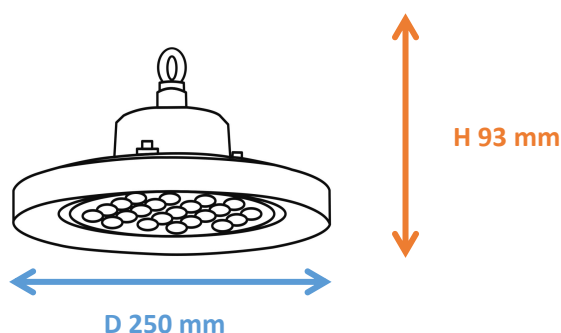
| | |
|--------------------------------------|---------------|
| Luminous flux $\pm 10\%$ (lm) | 15108 lm |
| Luminous efficacy | 142 lm/w |
| Color temperature | 6500K |
| Light color (designation) | Cold White |
| Color rendering index Ra | ≥ 80 |
| Standard deviation of color matching | ≤ 5 SDCM |
| Luminous intensity/cd | 8739 cd |
| Flickering | Flicker free |
| Beam angle | 82 ° |



IES

Dimensions & Weight

| | |
|--------------------|------|
| Diameter (mm) | 250 |
| Height (mm) | 93 |
| Product weight (g) | 2150 |



Material & Colors

| | |
|-----------------|------------------------------|
| Product color | Black heat sink / White lens |
| Housing color | Black |
| Body material | Aluminum |
| Cover material | PC |
| Mercury content | 0.0 mg |

Application & Mounting

| | |
|------------------------------|--------------------|
| Ambient temperature range | -40°C - +90 °C |
| Temperature range at storage | -40°C - +80 °C |
| Type of connection | Screwless terminal |
| Type of protection | IP65 |
| Dimmable | No |
| Mounting type | Surface mounted |
| Mounting location | Ceiling |
| Application environment | Indoor/Outdoor |
| Cut size (mm) | No |
| LED module replaceable | Not replaceable |
| With light source | Yes |

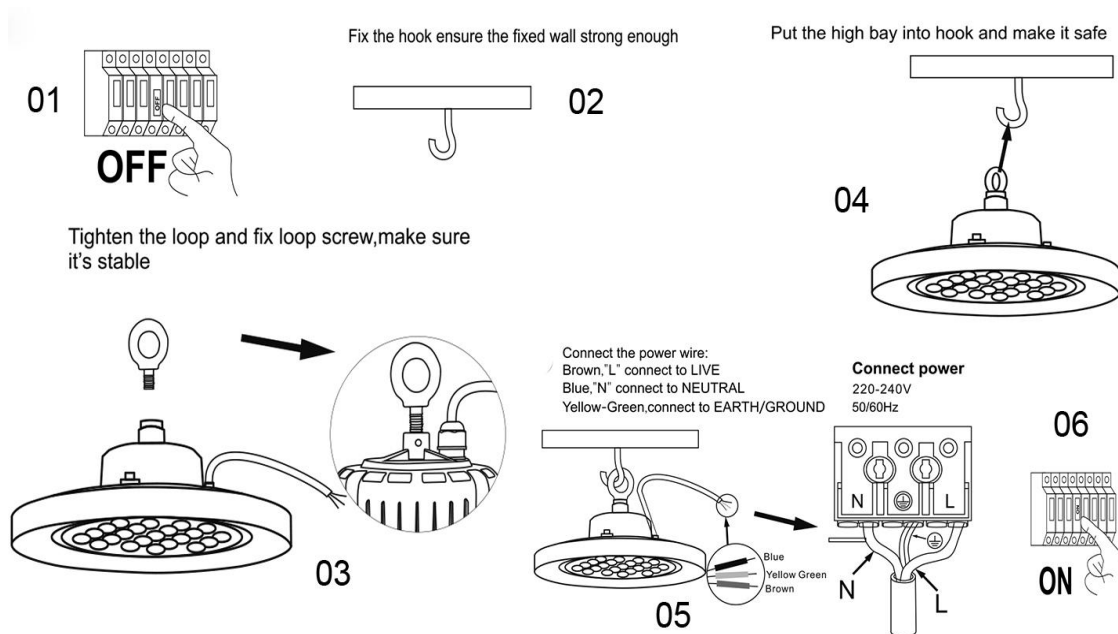
Certificates & Lifespan

| | |
|--------------|---------------|
| Life (h) | 50,000 |
| Certificates | CB CE LVD EMC |
| Standards | ISO9001:2015 |

Logistical Data

| Product code | Dimensions (L*W*H) | Pcs/ carton | G.W. kg | Volume CBM |
|--------------|--------------------|-------------|---------|------------------------|
| HYD-709-100W | 29×29×13.5 cm | 1 | ... | 0.01135 m ³ |

Installation Method



Disclaimer

Subject to change without notice. Errors and omission excepted. Always make sure to use the most recent release