

PRODUCT DATASHEET

Black lamp cup, enhanced anti-glare, Led spot light
HYD-342CS-7W*2 4000K



Application

- Home
- Restaurant
- Exhibition Hall
- Stage
- Conference Room
- Clothing Store

Benefits

- Flicker free
- It can be used for emphasis lighting and decorative lighting
- Spot light have prominent advantages in commercial lighting
- No secondary light spot, it can create a wall washing effect

Features

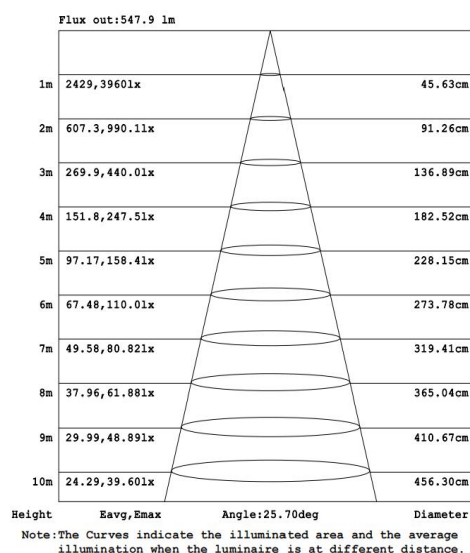
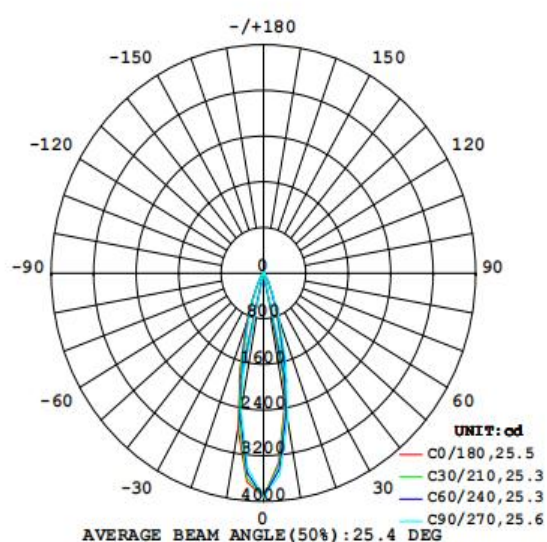
- Warranty 5 years
- PC, Good light transmission
- Small size, light weight, buckle design, easy to install
- Die-cast aluminum, good heat dissipation, reduce light decay

Electrical Data

Nominal wattage (W)	7W*2
Nominal Voltage (V)	220-240 V
Mains Frequency (Hz)	50
Nominal Current (mA)	300
LED Driver Current (mA)	60
LED Driver Voltage (VDC)	15-24
LED Driver Efficiency (%)	80%
Power Factor λ	0.5C
Total harmonic distortion (%)	...
Operating mode	External LED driver

Photometrical data

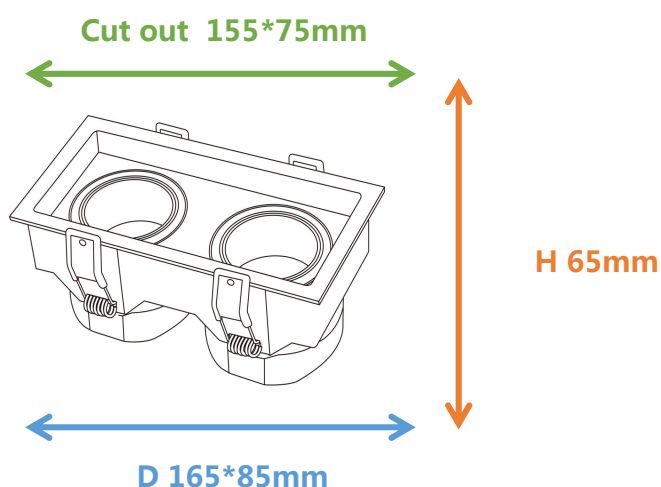
Luminous flux $\pm 10\%$ (lm)	1045 lm
Luminous efficacy	72 lm/w
Color temperature	4000K
Light color (designation)	Natural White
Color rendering index Ra	≥ 80
Standard deviation of color matching	≤ 5 SDCM
Luminous intensity/cd	3921
Flickering	Flicker free
Beam angle	25 °



4000K

Dimensions & Weight

Diameter (mm)	165*85
Height (mm)	65
Product weight (g) / Housing	537



Material & Colors

Product color	Black Lamp cup / White Housing
Housing color	White
Body material	Aluminum
Cover material	PC
Mercury content	0.0 mg

Application & Mounting

Ambient temperature range	-20°C~+45 °C
Temperature range at storage	-20°C~+60 °C
Type of connection	Screwless terminal
Type of protection	IP20
Dimmable	No
Mounting type	Recessed
Mounting location	Ceiling
Application environment	Indoor
Cut size (mm)	155*75
LED module replaceable	Not replaceable
With light source	Yes

Certificates & Lifespan

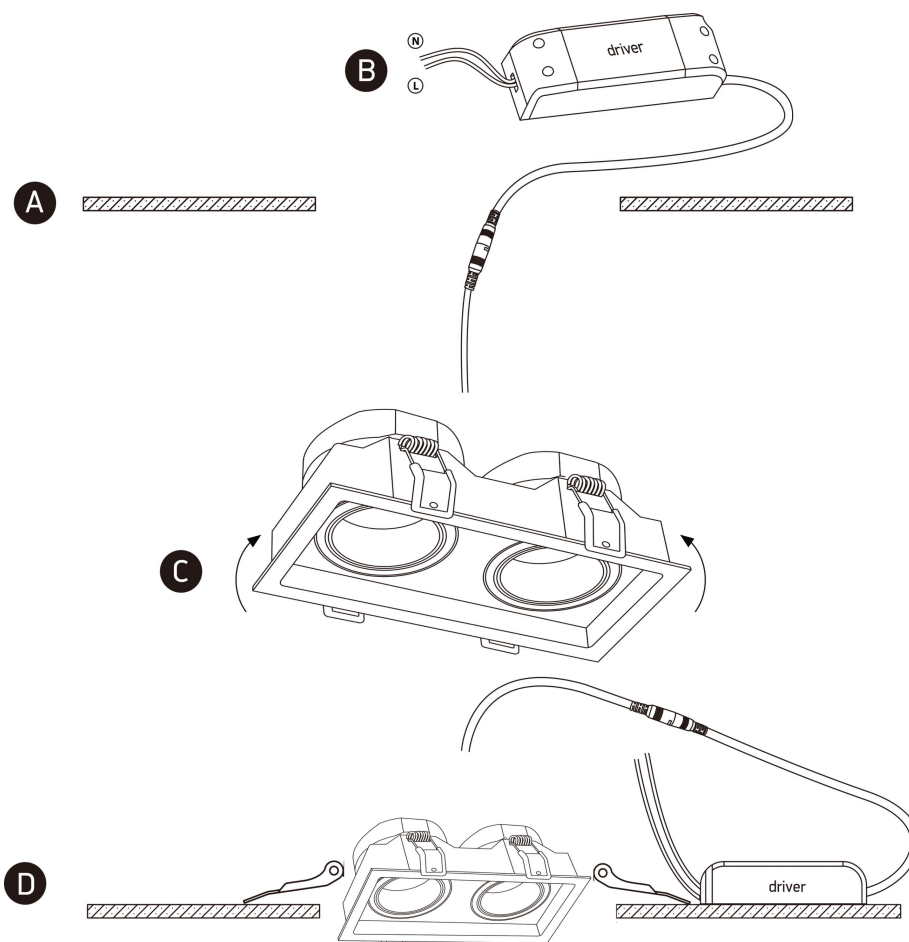
Life (h)	50,000
Certificates	CB CE LVD EMC
Standards	ISO9001:2015

Logistical Data

Product code	Dimensions (L*W*H)	Pcs/ carton	G.W. kg	Volume CBM
HYD-342CS-7W*2

This is the estimated data. Subject to the actual shipment.

Installation Method



Disclaimer

Subject to change without notice. Errors and omission excepted. Always make sure to use the most recent release.