

## PRODUCT DATASHEET

### Recessed Panel light HYD-116D-24W 4000K



---

### Application

- Office
- Kitchen
- Rest room
- Corridor
- Shop

---

### Benefits

- Flicker free.
- The light is soft and bright
- Drive stable, safe and reliable
- High light transmission mask to ensure uniform light

---

### Features

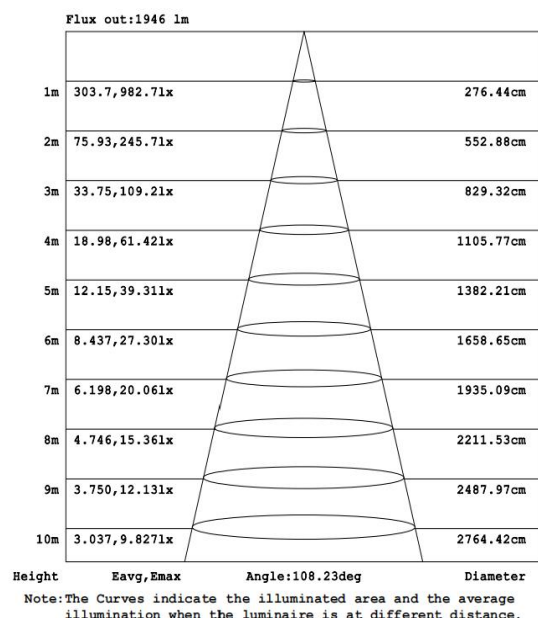
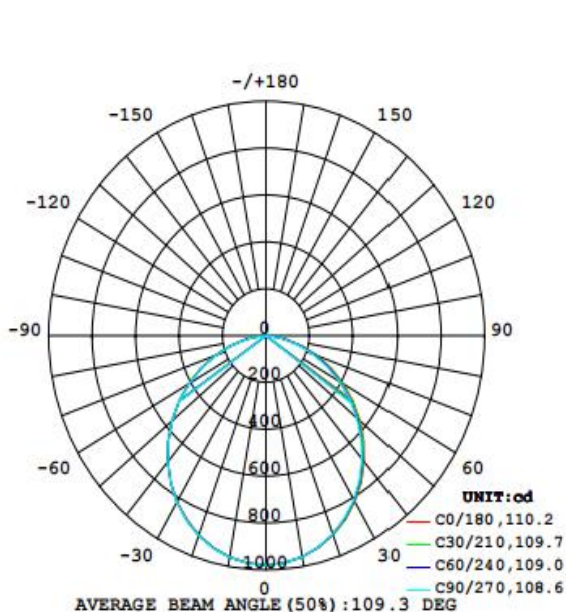
- Efficient and durable
- Easy and quick installation
- Light body thin design, reduce space occupancy
- Die-cast aluminum body for better heat dissipation, anti-corrosion, and easy maintain

## Electrical Data

Nominal wattage (W)	<b>24W</b>
Nominal Voltage (V)	220-240
Mains Frequency (Hz)	50/60 Hz
Nominal Current (mA)	115
LED Driver Current (mA)	600
LED Driver Voltage (VDC)	27-39
LED Driver Efficiency (%)	85%
Power Factor $\lambda$	0.55C
Total harmonic distortion (%)	...
Operating mode	External LED driver

## Photometrical data

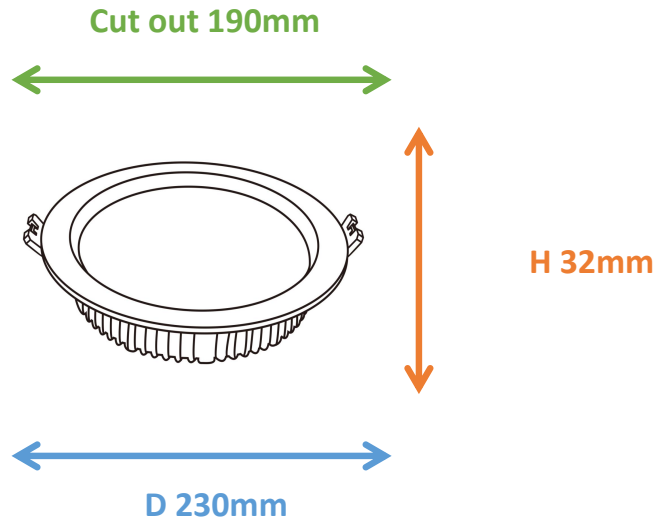
Luminous flux $\pm 10\%$ (lm)	2685 lm
Luminous efficacy	115 lm/w
Color temperature	<b>4000K</b>
Light color (designation)	Natural White
Color rendering index Ra	$\geq 80$
Standard deviation of color matching	$\leq 5$ SDCM
Luminous intensity/cd	979
Flickering	Flicker free
Beam angle	109 °



**4000K**

## Dimensions & Weight

Diameter (mm)	230
Height (mm)	32
Product weight (g) / Drive not included	473



## Material & Colors

Product color	All White
Housing color	White
Body material	Aluminum
Cover material	PC
Reflector color	White
Mercury content	0.0 mg

## Application & Mounting

Ambient temperature range	-20°C~+45 °C
Temperature range at storage	-25°C~+60 °C
Type of connection	Screwless terminal
Type of protection	IP20
Dimmable	No
Mounting type	Recesse mounted
Mounting location	Ceiling
Application environment	Indoor
Cut size (mm)	190
LED module replaceable	Not replaceable
With light source	Yes

## Certificates & Lifespan

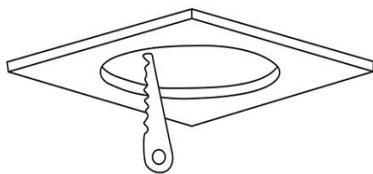
Life (h)	50,000
Certificates	CB LVD EMC RoHS
Standards	ISO9001:2015

## Logistical Data

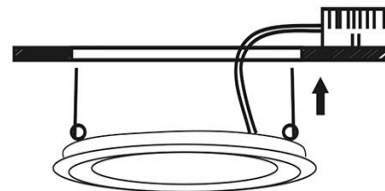
Product code	Dimensions (L*W*H)	Pcs/ carton	G.W. kg	Volume CBM
HYD-116D-24W	54*27*50.5 cm	20	...	0.07363

## Installation Method

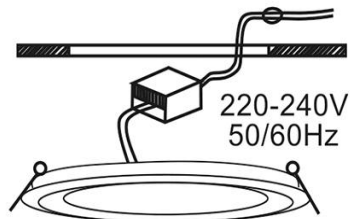
1. Cut hole according to lamp cut size.



3. Install the lamp onto the ceiling.



2. Cut off electrical power connect the lamp wire.



4. Like this finish installation.



## Disclaimer

Subject to change without notice. Errors and omission excepted. Always make sure to use the most recent release