

## PRODUCT DATASHEET

**Recessed Panel light**  
**HYD-102S-18W 4000K**



---

### Application

- Office
- Kitchen
- Rest room
- Corridor
- Shop

---

### Benefits

- Flicker free.
- The light is soft and bright
- Drive stable, safe and reliable
- High light transmission mask to ensure uniform light

---

### Features

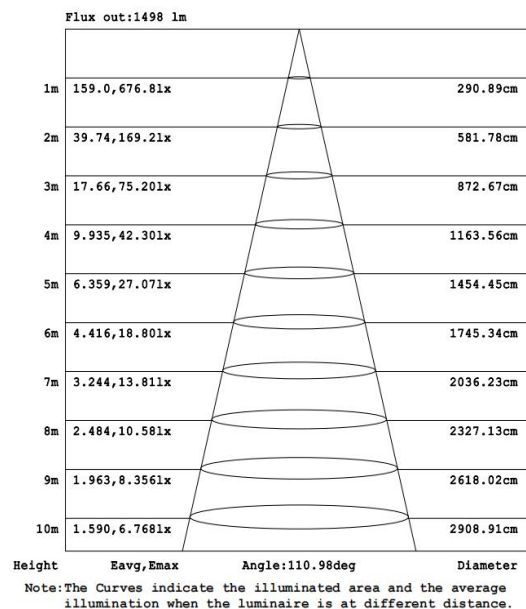
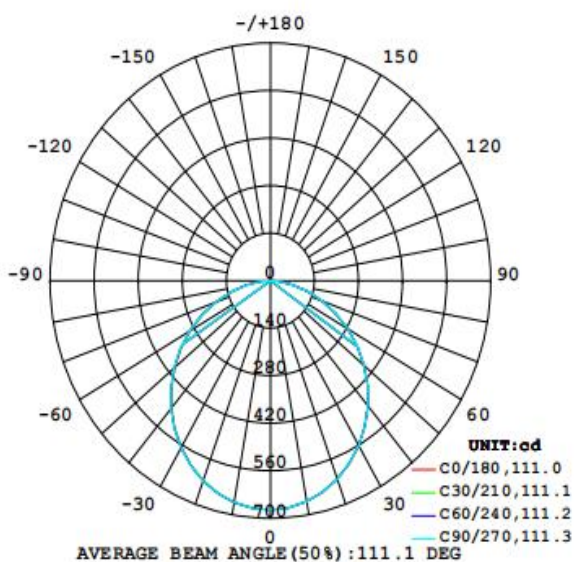
- Efficient and durable
- Easy and quick installation
- Light body thin design, reduce space occupancy
- Die-cast aluminum body for better heat dissipation, anti-corrosion, and easy maintain

## Electrical Data

Nominal wattage (W)	<b>18W</b>
Nominal Voltage (V)	220
Mains Frequency (Hz)	50
Nominal Current (mA)	144
LED Driver Current (mA)	500
LED Driver Voltage (VDC)	27-42
LED Driver Efficiency (%)	85%
Power Factor $\lambda$	0.55C
Total harmonic distortion (%)	...
Operating mode	External LED Driver

## Photometrical data

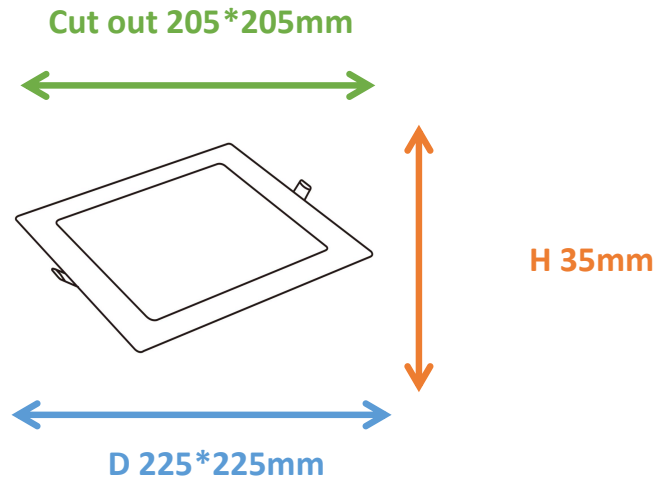
Luminous flux $\pm 10\%$ (lm)	1902 lm
Luminous efficacy	106 lm/w
Color temperature	<b>4000K</b>
Light color (designation)	Natural White
Color rendering index Ra	$\geq 80$
Standard deviation of color matching	$\leq 5$ SDCM
Luminous intensity/cd	675
Flickering	Flicker free
Beam angle	111 °



**4000K**

## Dimensions & Weight

Diameter (mm)	225*225
Height (mm)	35
Product weight (g)	505



## Material & Colors

Product color	All White
Housing color	White
Body material	Aluminum
Cover material	PS LGP material
Mercury content	0.0 mg

## Application & Mounting

Ambient temperature range	-20°C~+45 °C
Temperature range at storage	-25°C~+60 °C
Type of connection	Screwless terminal
Type of protection	IP20
Dimmable	No
Mounting type	Recesse mounted
Mounting location	Ceiling
Application environment	Indoor
Cut size (mm)	205*205
LED module replaceable	Not replaceable
With light source	Yes

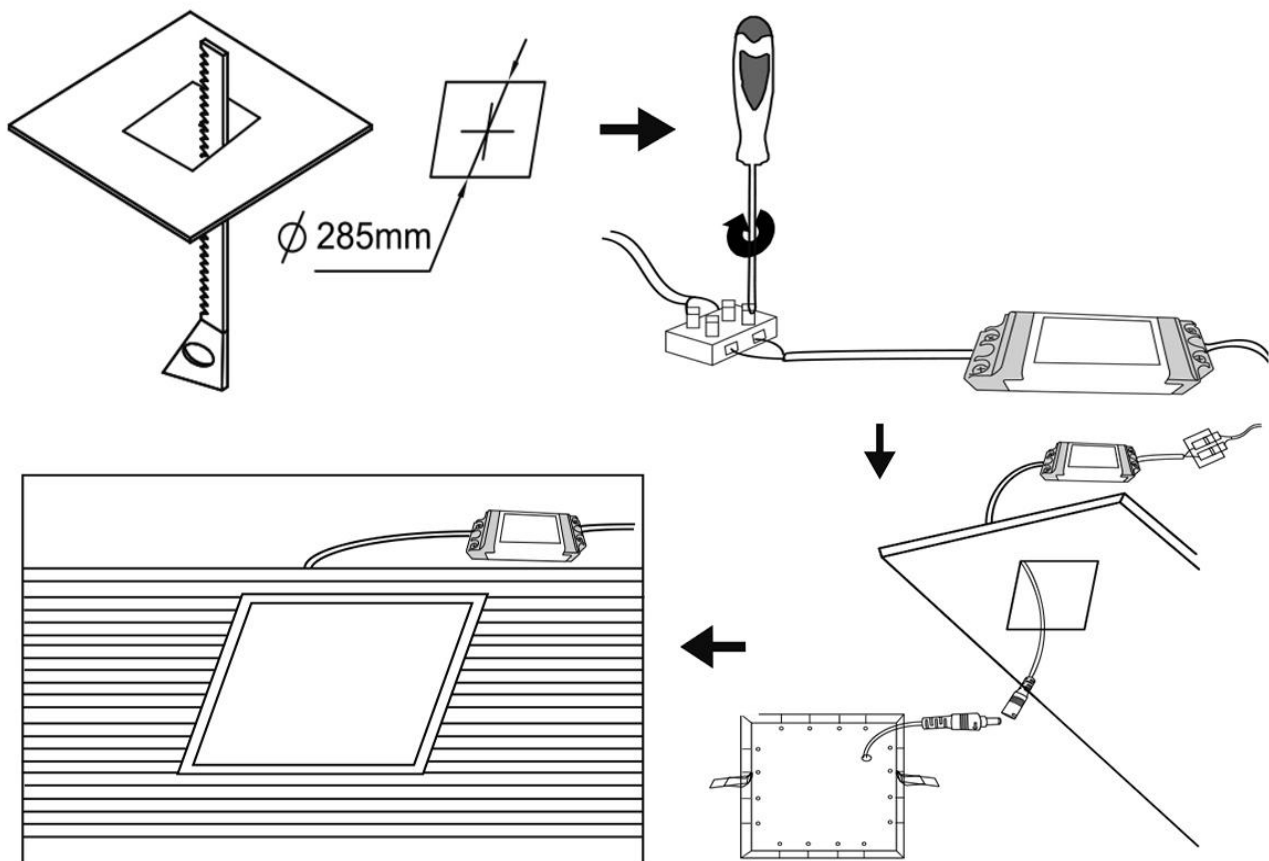
## Certificates & Lifespan

Life (h)	50,000
Certificates	CB LVD EMC RoHS
Standards	ISO9001:2015

## Logistical Data

Product code	Dimensions (L*W*H)	Pcs/ carton	G.W. kg	Volume CBM
HYD-102S-18W	52*29*37.5 cm	20	...	0.05655

## Installation Method



## Disclaimer

Subject to change without notice. Errors and omission excepted. Always make sure to use the most recent release.